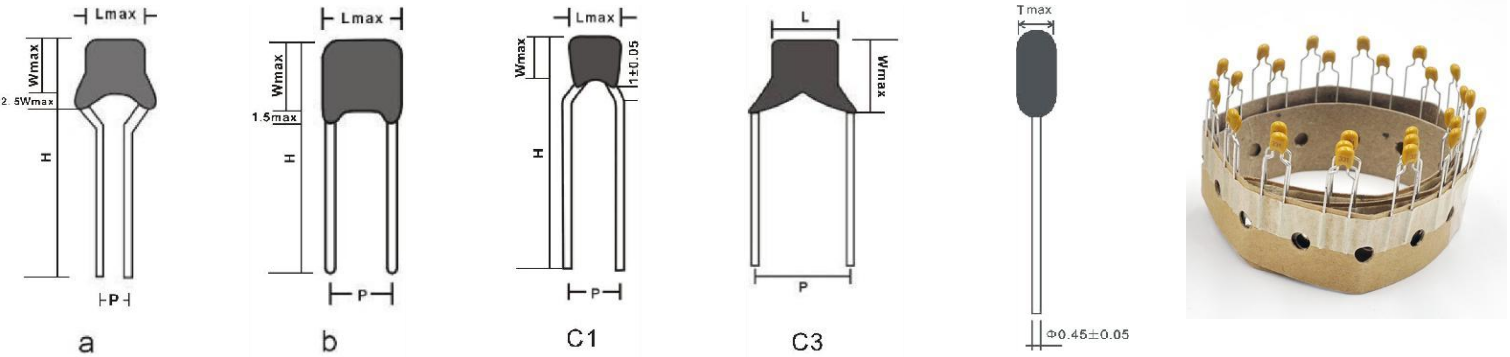


**OPERATING TEMPERATURE**

Operating Temperature	NPO (COG)	X7R	Y5V (Z5U)
	-55°C ~ +125°C	-55°C ~ +125°C	-25°C ~ +85°C

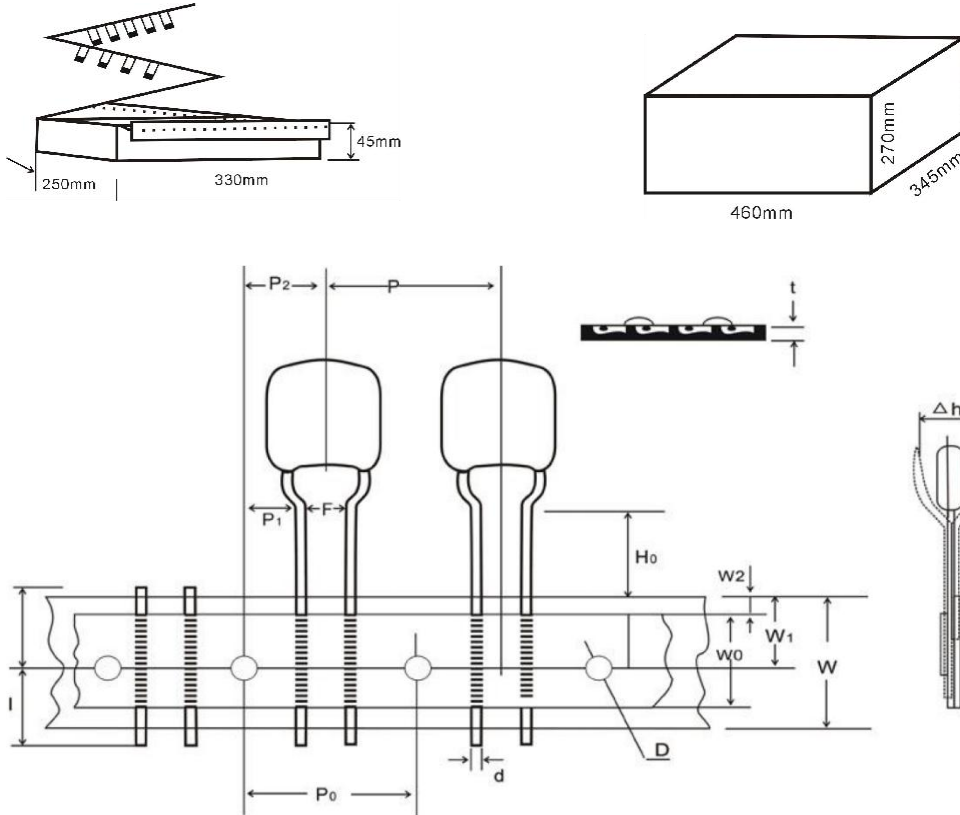


**SIZE CODE CAPACITANCE & VOLTAGE**

Size Code	Shape	Dimensions (mm)					Voltage	Capacitance (pF)		
		P (±0.5)	H (±1)	Lmax	Wmax	Tmax		NPO	X7R	Y5V
0805	a	2.54	5	4.2	3.8	3.8	25V 50V 100V	OR5~332 OR5~222 OR5~102	331~104 331~104 331~104	103~105 103~684
	b	2.54	10							
	C1	5.08	5.0/10.0	4.2	5	3.8				
	C2	5.08	5							
	C3	5.08	5.0/10.0							
1206	a	2.54	10	5	4.5	3.8	25V	OR5~682	102~224	103~125 103~105
	b	3.5					50V	OR5~472	102~104	
	C1	5.08					100V	OR5~392	102~105	
1210	b	3.5	10	7.6	5.5	3.8	25V	OR5~103	102~334	104~155
	C1	5.08					50V	OR5~472	102~224	
								100V	OR5~392	
1812	b	4.57	10	8.5	8.5	3.8	25V	561~103	103~474	154~335
							50V	561~682	103~334	
							100V	561~472	103~105	
2225	b	5.5	10	10.5	9.5	4.2	25V	102~223	103~105	684~475
							50V	102~223	103~105	
							100V	102~103	103~474	
3035	b	7.5	10	12.5	10.5	4.2	25V	102~104	103~225	105~106 105~685
							50V	102~473	103~205	
							100V	102~333	103~105	



**PACKAGING STYLE: Ammo Package**



DESCRIPTION	SYMBOL	DIMENSIONS(mm)	REMARKS
PITCH OF COMPONENT	P	12.7±1.0	
FEEDHOLD PITCH	PO	12.7±0.3	CUMULATIVE PITCH ERROR: ±1.0mm/20 PITCHES
FEED HOLD CENTER TO LEAD	P1	3.85±0.7	FOR F:5.08, 5.1±0.7 FOR F:2.54
FEED HOLD CENTER TO COMPONENT CENTER	P2	8.35±1.3	
LEAD TO LEAD SPACING	F	5.08+0.8/-0.2 OR 2.5+0.8/-0.2	TO LEAD TIP WITHIN TOL
COMPONENT ALIGNMENT, F-R	ΔH	2.0max	THE ALIGNMENT FROM THE CENTER OF THE LEAD IS ±1.0mm
TAPE WIDTH	W	18.0±1	
ADHESIVE TAPE WIDTH	W0	12.0±1	
HOLE POSITION	W1	9.0±0.5	
ADHESIVE TAPE POSITION	W2	3.0max	ADHESIVE TAPE MUST NOT PROTRUDE FROM BADE PAPER
LEAD-WIRE CLINCH HEIGHT	H0	15-20±0.5	6.5<=H0-W1
COMPONENT HEIGHT	H1	32.25max	
FEED HOLE DIAMETER	D0	4.0±0.3	
TOTAL TAPE THICKNESS	T	0.7±0.2	



### PN Structure

WCB	101	M	103	1206	N	F1	P
Series	Voltage	Tolerance	Capacitance	Size Code	Dielectric	Pitch Size	Package
	<u>1</u>	<u>2</u>	<u>3</u>	<u>4</u>	<u>5</u>	<u>6</u>	<u>7</u>

### 1. Voltage

250	25V
500	50V
101	100V

### 2. Tolerance

A	B	C	D	F	G	H	J	K	M	Z
±0.05pF	±0.1pF	±0.25pF	±0.5pF	±1%	±2%	±2.5%	±5%	±10%	±20%	+80%-20%

### 3. Capacitance

103	10x10 <sup>3</sup> pF
4R7	4.7pF

### 4. Size Code: Chip Size (LxW)

0805	0.08x0.05 Inches
1206	0.12x0.06 Inches
1210	0.12x0.10 Inches
1812	0.18x0.12 Inches
2225	0.22x0.25 Inches
3035	0.30x0.35 Inches

### 5. Dielectric

N	NPO
B	X7R
Y	Y5V
C	COG

### 6. Pitch Size

F1	2.54 mm	F4	7.50 mm	PF1	2.54 mm
F2	4.57 mm	F5	3.50mm	PF3	5.08mm
F3	5.08mm	F1 ~ F5 : For Bulk Packing		PF1, PF3 : For Ammo Packing	

### 7. Package

P	Ammo
B	Bulk

