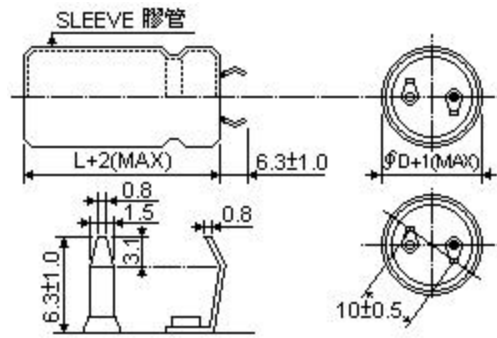


FEATURES

- Size may be selected
- Load life of 5000 hours at 85°C

DIMENSIONS (mm)



| | | | | | |
|----|----|----|----|----|----|
| ΦD | 35 | 51 | 63 | 78 | 90 |
| F | 13 | 22 | 28 | 32 | 32 |

MULTIPLIER FOR RIPPLE CURRENT

Frequency coefficient

| Frequency Hz | 60 | 120 | 300 | 1,000 | 10,000 | 100,000 |
|--------------|----------|------|------|-------|--------|---------|
| Coefficient | 10~50V | 0.90 | 1.00 | 1.03 | 1.05 | 1.10 |
| | 63~100V | 0.85 | 1.00 | 1.07 | 1.13 | 1.19 |
| | 160~450V | 0.80 | 1.00 | 1.15 | 1.25 | 1.35 |

Picture



SPECIFICATIONS

| Item | Characteristics | | | | | | | | | |
|------------------------------------|--|---------------|------|---|---|---------|------------------------------------|---------|---------|----|
| Operating Temperature Range(°C) | -40~+85 | | | | | -25~+85 | | | | |
| Rated Voltage Range(V) | 10~400 | | | | | 450~500 | | | | |
| Capacitance Tolerance(20°C, 120Hz) | ±20% | | | | | | | | | |
| Leakage current(u A) | 0.01CV or 1.5mA whichever is smaller(at 20°C,after 5 minutes) C:Nominal Capacitance(u F),V:Rated Voltage(V) | | | | | | | | | |
| Dissipation Factor(20°C,120Hz) | voltage(V) CAP(uf) | 10~16 | 25 | 35~50 | 63 | 80~100 | voltage(V) ΦD(mm) | 160~200 | 250~500 | |
| | ≤2700 | -- | -- | 0.20 | 0.15 | 0.15 | 22~30 | 0.10 | 0.15 | |
| | 3300~4700 | -- | 0.35 | 0.25 | 0.20 | 0.15 | 35 | 0.12 | 0.15 | |
| | 5600~6800 | 0.40 | 0.35 | 0.30 | 0.20 | 0.20 | | | | |
| | ≥8200 | 0.40 | 0.35 | 0.35 | 0.25 | -- | | | | |
| Temperature stability(120HZ) | Rated voltage | | | 10 | 10~35 | 50~100 | 160~200 | 250~400 | 450~500 | |
| | impedance Ratio | Z-25°C/Z+20°C | | | 5 | 4 | 3 | 3 | 4 | 4 |
| | | Z-40°C/Z+20°C | | | 18 | 15 | 10 | 6 | 8 | -- |
| Load life(+85°C) | Life Time | | | | 5000hours | | | | | |
| | Leakage Current | | | | Initial specified value or less | | | | | |
| | Capacitance change | | | | Within±20% of the initial value | | | | | |
| | Dissipation Factor | | | | Not more than 150% of the specified value | | | | | |
| Shelf Life(+85°C) | Life Time | | | 1000hours | | | | | | |
| | Leakage Current | | | Not more than the specified value | | | | | | |
| | Capacitance change | | | Within±15% of the initial value | | | | | | |
| | Dissipation Factor | | | Not more than 150% of the specified value | | | | | | |
| | After test:UR TO be applied for 30 minutes,24 to 48 hours before measurement | | | | | | | | | |



STANDARD RATINGS

| WV(v) | cap | Case size | ESR 20°C | Ripple |
|-------|-------|-----------|-----------|--------|
| | (μF) | ΦD*L(mm) | 120Hz(mΩ) | Arms |
| 10 | 10000 | 22*25 | 53 | 2.5 |
| | 15000 | 22*30 | 35 | 3.2 |
| | 18000 | 22*35 | 29 | 3.6 |
| | 18000 | 25*30 | 29 | 3.6 |
| | 22000 | 22*40 | 24 | 4 |
| | 22000 | 30*25 | 24 | 4.1 |
| | 33000 | 35*25 | 16 | 4.8 |
| | 39000 | 25*45 | 14 | 5.2 |
| | 39000 | 30*35 | 14 | 5.3 |
| | 47000 | 25*50 | 11 | 5.8 |
| | 47000 | 30*40 | 11 | 6 |
| | 47000 | 35*30 | 11 | 6 |
| | 56000 | 35*35 | 9 | 6.8 |
| | 68000 | 30*50 | 8 | 7.5 |

| WV(v) | cap | Case size | ESR 20°C | Ripple |
|-------|-------|-----------|-----------|--------|
| | (μF) | ΦD*L(mm) | 120Hz(mΩ) | Arms |
| 25 | 5600 | 22*25 | 83 | 2 |
| | 6800 | 22*30 | 68 | 2.3 |
| | 8200 | 22*35 | 57 | 2.6 |
| | 10000 | 22*40 | 46 | 2.9 |
| | 10000 | 25*30 | 46 | 2.8 |
| | 12000 | 22*45 | 39 | 3.3 |
| | 15000 | 25*40 | 31 | 3.7 |
| | 15000 | 35*25 | 31 | 3.9 |
| | 18000 | 25*50 | 26 | 4.3 |
| | 18000 | 30*35 | 26 | 4.2 |
| | 18000 | 35*30 | 26 | 4.4 |
| | 22000 | 30*40 | 21 | 4.8 |
| | 33000 | 35*40 | 14 | 6.5 |
| | 39000 | 35*45 | 12 | 7.5 |



WEE Technology Company Limited
ROOM 1405, 14/F, LUCKY CENTRE,
171 WANCHAI ROAD,
WANCHAI, HONG KONG
www.weetcap.com
info@weetcap.com

All details in this data sheet are subject to change without notice.
For more details and updates, please visit our website.

Copyright © 2000 WEE Technology, All rights reserved.



| WV(v) | cap | Case size | ESR 20°C | Ripple |
|-------|-------|-----------|-----------|--------|
| | (μF) | ΦD*L(mm) | 120Hz(mΩ) | Arms |
| 16 | 8200 | 22*25 | 65 | 2.2 |
| | 10000 | 22*30 | 53 | 2.6 |
| | 10000 | 25*25 | 53 | 2.6 |
| | 12000 | 22*35 | 44 | 2.9 |
| | 15000 | 22*40 | 35 | 3.3 |
| | 15000 | 25*30 | 35 | 3.3 |
| | 15000 | 30*25 | 35 | 3.4 |
| | 18000 | 22*45 | 29 | 3.8 |
| | 18000 | 25*35 | 29 | 3.7 |
| | 22000 | 22*50 | 24 | 4.2 |
| | 22000 | 25*40 | 24 | 4.2 |
| | 22000 | 35*25 | 24 | 4.4 |
| | 27000 | 25*45 | 20 | 5 |
| | 33000 | 30*40 | 16 | 5.6 |
| | 33000 | 35*30 | 16 | 5.6 |
| | 39000 | 30*45 | 14 | 6.2 |
| | 39000 | 35*35 | 14 | 6.3 |
| | 47000 | 30*50 | 11 | 7 |
| | 47000 | 35*40 | 11 | 7.2 |
| | 56000 | 35*45 | 9 | 8 |

| WV(v) | cap | Case size | ESR 20°C | Ripple |
|-------|-------|-----------|-----------|--------|
| | (μF) | ΦD*L(mm) | 120Hz(mΩ) | Arms |
| 35 | 3300 | 22*25 | 101 | 1.8 |
| | 3900 | 22*30 | 85 | 2.1 |
| | 4700 | 25*25 | 71 | 2.2 |
| | 5600 | 22*35 | 71 | 2.3 |
| | 5600 | 25*30 | 71 | 2.3 |
| | 6800 | 22*40 | 59 | 2.9 |
| | 6800 | 25*35 | 59 | 2.6 |
| | 6800 | 30*25 | 59 | 2.7 |
| | 8200 | 22*50 | 57 | 2.8 |
| | 8200 | 25*40 | 57 | 2.8 |
| | 8200 | 30*30 | 57 | 2.8 |
| | 8200 | 35*25 | 57 | 2.9 |
| | 10000 | 25*45 | 46 | 3.1 |
| | 12000 | 25*50 | 39 | 3.5 |
| | 12000 | 30*40 | 39 | 3.5 |
| | 15000 | 30*45 | 31 | 4.1 |
| | 15000 | 35*35 | 31 | 4.1 |
| | 18000 | 30*50 | 26 | 4.6 |
| | 18000 | 35*40 | 26 | 4.7 |
| | 22000 | 35*45 | 21 | 5.3 |
| 27000 | 35*50 | 17 | 7 | |
| 22000 | 35*45 | 21 | 5.3 | |
| 27000 | 35*50 | 17 | 7 | |

Note: Other Values are available on request. WEET is capable of doing custom service for you.



WEE Technology Company Limited
ROOM 1405, 14/F, LUCKY CENTRE,
171 WANCHAI ROAD,
WANCHAI, HONG KONG
www.weetcap.com
info@weetcap.com

All details in this data sheet are subject to change without notice.
For more details and updates, please visit our website.

Copyright © 2000 WEE Technology, All rights reserved.



| VV(v) | cap | Case size | ESR 20°C | Ripple |
|-------|-------|-----------|-----------|--------|
| | (μF) | ΦD*L(mm) | 120Hz(mΩ) | Arms |
| 50 | 2200 | 22*25 | 121 | 1.7 |
| | 2700 | 22*30 | 98 | 1.9 |
| | 2700 | 25*25 | 98 | 1.9 |
| | 3900 | 22*35 | 85 | 2.1 |
| | 3900 | 30*25 | 85 | 2.4 |
| | 4700 | 22*40 | 71 | 2.4 |
| | 5600 | 22*50 | 71 | 2.5 |
| | 6800 | 25*45 | 59 | 2.8 |
| | 8200 | 30*40 | 57 | 3 |
| | 10000 | 30*45 | 46 | 3.4 |
| | 12000 | 30*50 | 39 | 3.8 |
| | 15000 | 35*50 | 31 | 4.5 |
| | 22000 | 35*60 | 21 | 5.8 |
| | 63 | 1500 | 22*25 | 133 |
| 2200 | | 22*30 | 90 | 2 |
| 2700 | | 22*35 | 74 | 2.2 |
| 3300 | | 25*35 | 80 | 2.3 |
| 3900 | | 22*45 | 68 | 2.5 |
| 3900 | | 30*30 | 68 | 2.6 |
| 4700 | | 35*25 | 68 | 2.7 |
| 5600 | | 30*35 | 56 | 2.8 |
| 6800 | | 35*30 | 47 | 3.3 |
| 8200 | | 30*50 | 40 | 3.7 |
| 10000 | | 35*40 | 40 | 3.8 |
| 12000 | | 35*45 | 28 | 4.8 |
| 15000 | | 35*50 | 22 | 5.2 |
| 18000 | | 35*60 | 18 | 5.6 |

| VV(v) | cap | Case size | ESR 20°C | Ripple |
|-------|-------|-----------|-----------|--------|
| | (μF) | ΦD*L(mm) | 120Hz(mΩ) | Arms |
| 80 | 1000 | 22*25 | 199 | 1.3 |
| | 1200 | 22*30 | 166 | 1.5 |
| | 1500 | 25*25 | 133 | 1.7 |
| | 1800 | 22*35 | 111 | 1.9 |
| | 2200 | 22*40 | 90 | 2.1 |
| | 2200 | 25*35 | 90 | 2.2 |
| | 2700 | 22*50 | 74 | 2.5 |
| | 3300 | 25*45 | 60 | 2.8 |
| | 3900 | 30*40 | 51 | 3.2 |
| | 4700 | 30*45 | 42 | 3.6 |
| | 5600 | 30*50 | 47 | 3.5 |
| | 6800 | 35*50 | 39 | 4.1 |
| | 8200 | 35*50 | 32 | 4.3 |
| | 10000 | 35*60 | 27 | 4.6 |
| 100 | 680 | 22*25 | 293 | 1.1 |
| | 820 | 22*30 | 243 | 1.2 |
| | 1000 | 25*25 | 199 | 1.4 |
| | 1200 | 22*35 | 166 | 1.6 |
| | 1200 | 25*30 | 166 | 1.6 |
| | 1500 | 22*40 | 133 | 1.8 |
| | 1500 | 25*35 | 133 | 1.7 |
| | 1500 | 30*25 | 133 | 1.8 |
| | 1800 | 22*50 | 111 | 2.1 |
| | 1800 | 25*40 | 111 | 2 |
| | 1800 | 30*30 | 111 | 2.1 |
| | 1800 | 35*25 | 111 | 2.2 |
| | 2200 | 25*45 | 90 | 2.2 |
| | 2700 | 25*50 | 74 | 2.6 |
| 3300 | 35*35 | 60 | 3.1 | |
| 3900 | 30*50 | 51 | 3.4 | |
| 4700 | 35*50 | 42 | 4 | |



| WV(v) | cap | Case size | ESR 20°C | Ripple |
|-------|-------|-----------|-----------|--------|
| | (μF) | ΦD*L(mm) | 120Hz(mΩ) | Arms |
| 160 | 330 | 22*25 | 483 | 1.3 |
| | 390 | 22*30 | 408 | 1.5 |
| | 390 | 25*25 | 408 | 1.5 |
| | 560 | 22*35 | 284 | 1.9 |
| | 560 | 25*30 | 284 | 1.9 |
| | 560 | 30*25 | 284 | 2 |
| | 680 | 22*40 | 234 | 2.1 |
| | 680 | 25*35 | 234 | 2.2 |
| | 820 | 22*50 | 194 | 2.5 |
| | 820 | 35*25 | 194 | 2.4 |
| | 1000 | 35*30 | 159 | 2.7 |
| | 1200 | 25*50 | 133 | 3.1 |
| | 1200 | 30*40 | 133 | 3.2 |
| | 1500 | 30*45 | 106 | 3.7 |
| | 1800 | 35*45 | 88 | 3.9 |
| | 2200 | 35*50 | 72 | 4.5 |
| 180 | 270 | 22*25 | 590 | 1.2 |
| | 330 | 22*30 | 483 | 1.4 |
| | 390 | 25*25 | 408 | 1.5 |
| | 470 | 22*35 | 339 | 1.7 |
| | 470 | 25*30 | 339 | 1.7 |
| | 560 | 22*40 | 284 | 1.9 |
| | 560 | 25*35 | 284 | 2 |
| | 680 | 30*30 | 234 | 2.3 |
| | 680 | 35*25 | 234 | 2.2 |
| | 820 | 25*45 | 194 | 2.5 |
| | 820 | 30*35 | 194 | 2.6 |
| | 820 | 35*30 | 194 | 2.5 |
| | 1000 | 30*40 | 159 | 2.9 |
| | 1200 | 30*45 | 133 | 3.3 |
| | 1200 | 35*35 | 133 | 3.1 |
| | 1500 | 35*45 | 106 | 3.6 |
| 1800 | 35*50 | 88 | 4.1 | |

| WV(v) | cap | Case size | ESR 20°C | Ripple |
|-------|-------|-----------|-----------|--------|
| | (μF) | ΦD*L(mm) | 120Hz(mΩ) | Arms |
| 200 | 220 | 22*25 | 724 | 1.1 |
| | 330 | 22*30 | 483 | 1.4 |
| | 330 | 25*25 | 483 | 1.4 |
| | 390 | 22*35 | 408 | 1.6 |
| | 390 | 25*30 | 408 | 1.6 |
| | 470 | 22*35 | 339 | 1.8 |
| | 470 | 30*25 | 339 | 1.9 |
| | 560 | 22*45 | 284 | 2 |
| | 560 | 25*35 | 284 | 2 |
| | 680 | 25*40 | 234 | 2.3 |
| | 820 | 30*40 | 194 | 2.7 |
| | 820 | 35*30 | 194 | 2.5 |
| | 1000 | 30*45 | 159 | 3.1 |
| | 1200 | 30*50 | 133 | 3.4 |
| | 1500 | 35*50 | 106 | 3.8 |
| | 250 | 180 | 22*25 | 1106 |
| 220 | | 22*30 | 905 | 1.1 |
| 220 | | 25*25 | 905 | 1.1 |
| 270 | | 22*35 | 737 | 1.2 |
| 330 | | 22*40 | 603 | 1.4 |
| 330 | | 25*30 | 603 | 1.4 |
| 390 | | 22*45 | 510 | 1.6 |
| 390 | | 25*35 | 510 | 1.6 |
| 470 | | 30*30 | 423 | 1.8 |
| 470 | | 35*25 | 423 | 2.4 |
| 560 | | 25*45 | 355 | 2 |
| 560 | | 30*35 | 355 | 2 |
| 680 | | 30*40 | 293 | 2.3 |
| 820 | | 30*45 | 243 | 2.6 |
| 820 | | 35*35 | 243 | 2.6 |
| 1000 | | 35*40 | 199 | 3 |
| 1200 | 35*45 | 166 | 3.4 | |



| WV(v) | cap | Case size | ESR 20°C | Ripple |
|-------|-------|-----------|-----------|--------|
| | (μF) | ΦD*L(mm) | 120Hz(mΩ) | Arms |
| 350 | 82 | 22*25 | 2427 | 0.64 |
| | 120 | 22*30 | 1659 | 0.82 |
| | 120 | 25*25 | 1659 | 0.81 |
| | 150 | 22*35 | 1327 | 0.94 |
| | 150 | 25*30 | 1327 | 0.94 |
| | 180 | 22*40 | 1106 | 1.1 |
| | 180 | 30*25 | 1106 | 1.1 |
| | 220 | 22*45 | 905 | 1.2 |
| | 270 | 25*45 | 737 | 1.4 |
| | 330 | 35*30 | 603 | 1.6 |
| | 390 | 30*40 | 510 | 1.7 |
| | 390 | 35*35 | 510 | 1.8 |
| | 470 | 30*45 | 423 | 2 |
| | 470 | 35*40 | 423 | 2 |
| | 560 | 35*45 | 355 | 2.3 |
| 680 | 35*50 | 293 | 2.6 | |

| | | | | |
|-----|-----|-------|------|------|
| 450 | 47 | 22*25 | 4235 | 0.45 |
| | 68 | 22*30 | 2927 | 0.57 |
| | 100 | 25*25 | 1990 | 0.73 |
| | 120 | 22*40 | 1659 | 0.8 |
| | 150 | 22*40 | 1327 | 1 |
| | 180 | 35*40 | 1106 | 1.1 |
| | 220 | 22*50 | 905 | 1.2 |
| | 270 | 30*40 | 737 | 1.4 |
| | 330 | 30*45 | 603 | 1.7 |
| | 470 | 35*45 | 423 | 2.2 |
| | 560 | 35*50 | 355 | 2.4 |
| | 680 | 35*60 | 293 | 2.7 |
| | 820 | 35*65 | 243 | 3 |

| WV(v) | cap | Case size | ESR 20°C | Ripple |
|-------|-------|-----------|-----------|--------|
| | (μF) | ΦD*L(mm) | 120Hz(mΩ) | Arms |
| 400 | 68 | 22*25 | 2927 | 0.55 |
| | 100 | 22*30 | 1990 | 0.7 |
| | 100 | 25*25 | 1990 | 0.7 |
| | 120 | 22*35 | 1659 | 0.79 |
| | 150 | 22*45 | 1327 | 0.9 |
| | 150 | 25*30 | 1327 | 0.89 |
| | 150 | 30*25 | 1327 | 0.95 |
| | 180 | 25*35 | 1106 | 1 |
| | 220 | 35*25 | 905 | 1.3 |
| | 270 | 35*30 | 737 | 1.5 |
| | 330 | 30*40 | 603 | 1.6 |
| | 330 | 35*35 | 603 | 1.7 |
| | 390 | 30*45 | 510 | 1.8 |
| | 470 | 30*50 | 423 | 2 |
| | 470 | 35*40 | 423 | 1.9 |
| | 560 | 35*50 | 355 | 2.4 |
| | 680 | 35*50 | 293 | 2.6 |
| | 820 | 35*50 | 243 | 2.8 |
| 1000 | 35*60 | 199 | 3.4 | |
| 500 | 100 | 25*40 | 1990 | 0.85 |
| | 120 | 30*30 | 1659 | 1 |
| | 150 | 30*35 | 1327 | 1.2 |
| | 220 | 25*50 | 905 | 1.2 |
| | 220 | 35*35 | 905 | 1.5 |
| | 180 | 30*40 | 1106 | 1.4 |
| | 180 | 35*30 | 1106 | 1.3 |
| | 270 | 30*50 | 737 | 1.8 |
| | 330 | 35*45 | 603 | 2 |
| | 390 | 35*50 | 510 | 2.3 |
| | 470 | 35*60 | 423 | 2.6 |



PN Structure

| WEC | 1A | 223 | M | 02200400 | 100 | B | R |
|--------|---------------|-------------|-----------------------|-----------|------------|---------|----|
| Series | Rated Voltage | Capacitance | Capacitance Tolerance | Dimension | Pitch/Pins | Packing | Pb |
| | 1. | 2. | 3. | 4. | 5. | 6. | 7. |

1. Rated Voltage

| Code | 0J | 1A | 1C | 1D | 1E | 1V | 1G | 1H | 1J | 1K | 2A | 2B |
|---------|------|-----|-----|-----|-----|-----|-----|-----|-----|-----|------|------|
| Voltage | 6.3V | 10V | 16V | 20V | 25V | 35V | 40V | 50V | 63V | 80V | 100V | 120V |

| Code | 2C | 2K | 2D | 2E | 2F | 2U | 2V | 2G | 2X | 2W | 2H | 2Y |
|---------|------|------|------|------|------|------|------|------|------|------|------|------|
| Voltage | 160V | 180V | 200V | 250V | 315V | 330V | 350V | 400V | 420V | 450V | 500V | 550V |

2. Capacitance

| Code | 0R1 | R22 | R33 | R47 | 010 | 2R2 | 3R3 | 4R7 | 100 | 470 | 101 | 562 | 223 | 334 |
|------------------|-----|------|------|------|-----|-----|-----|-----|-----|-----|-----|------|-------|--------|
| Capacitance (μF) | 0.1 | 0.22 | 0.33 | 0.47 | 1 | 2.2 | 3.3 | 4.7 | 10 | 47 | 100 | 5600 | 22000 | 330000 |

3. Capacitance Tolerance

| Code | K | L | M |
|-----------|------|------|------|
| Tolerance | ±10% | ±15% | ±20% |

4. Dimension

| Code | 00500095 | 00630085 | 03600530 | 07701550 |
|----------------|----------|----------|----------|----------|
| Dimension (mm) | 5x9.5 | 6.3x8.5 | 36x53 | 77x155 |

5. Pitch

| Code | 020 | 025 | 075 | 100 | 220 | 320 |
|------------|-----|-----|-----|------|-----|-----|
| Pitch (mm) | 2.0 | 2.5 | 7.5 | 10.0 | 22 | 32 |

6. Packing

| Code | A | B |
|---------|------|------|
| Packing | Ammo | Bulk |

7. Pb

| Code | L | R |
|------|--------|------|
| Pb | Leaded | RoHS |

