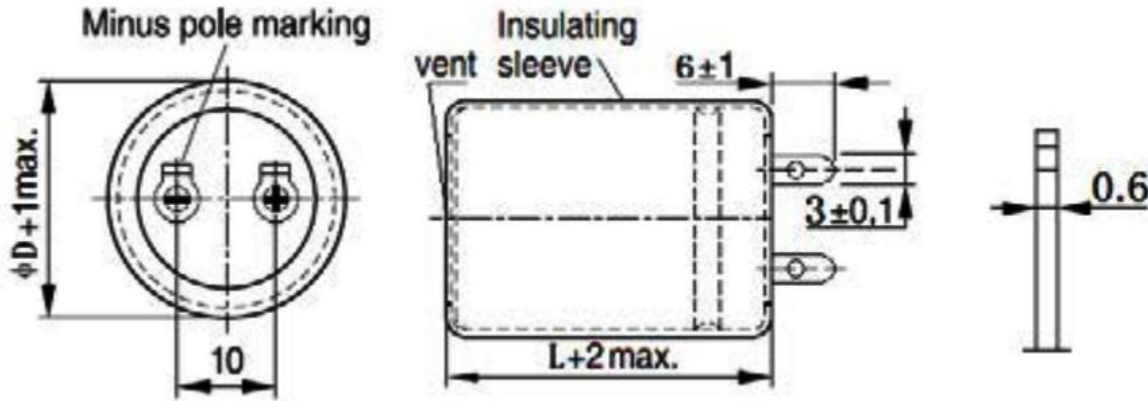


FEATURES

- Compliant to the RoHS directive.
- High stability.
- Compact and light weight.
- For photo flash application.



DIMENSIONS (mm)



SPECIFICATIONS

Item	Characteristics	
Rated Voltage Range(v)	330V ~ 450V	
Operating Temperature Range(°C)	-20°C ~ +55°C	
Capacitance Tolerance(20°C, 120Hz)	-10% ~ ±20% (20°C, 120Hz)	
Leakage current(u A)	$I \leq 1 \times C$ (µA) (20°C, after 5 minutes) C=Nominal capacitance(µF), I= Leakage current (µA)	
Dissipation Factor(20°C, 120Hz)	UR(V) 330 ~ 450, tan δ 0.15	
Load life(+ 105°C)	Charge and discharge at rated voltage at 5 ~ 35°C in every 30 seconds for 5000 times via Xe flash tube with discharge resistance of 0.7-1Ω:	
	Leakage Current	Not more than 200% of specified value
	Capacitance change	Within ±20% of the initial value
	Dissipation Factor	Not more than 200% of the specified value
Shelf Life(+105°C)	Storage without voltage applied at 70°C for 500 hours and measured at 20±5°C. After test: UR to be applied for 60 minutes, 24 to 48 hours before measurement.	
	Leakage Current	Not more than 200% of specified value
	Capacitance change	Within ±20% of the initial value
	Dissipation Factor	Not more than 200% of the specified value
	After test: UR to be applied for 30 minutes, 12 to 24 hours before measurement	

STANDARD RATINGS

(V.DC)	Cap.(μF)	ΦD×L(mm)	tanδ	(V.DC)	Cap.(μF)	ΦD×L(mm)	tanδ	
330 (350)	180	22×25	0.15	360 (390)	180	25×25	0.15	
	200	22×30	0.15		200	22×30	0.15	
		25×25	0.15			25×30	0.15	
	250	22×30	0.15		250	22×35	0.15	
		25×30	0.15			250	25×30	0.15
	300	22×35	0.15		300		25×35	0.15
		25×30	0.15			300	30×25	0.15
	350	22×40	0.15		350		22×40	0.15
		25×35	0.15			350	25×35	0.15
	400	22×45	0.15		400		30×30	0.15
		25×40	0.15			400	22×45	0.15
		30×30	0.15				400	25×40
	450	22×50	0.15		450			30×30
		25×45	0.15			450		22×50
		30×30	0.15				450	25×45
	500	25×50	0.15		500			30×35
						30×35		0.15
		600	30×35				0.15	
	600		35×30		0.15	600	25×60	0.15
		700	30×40		0.15		700	30×40
	700		35×30		0.15	700		30×40
		800	30×45		0.15		800	30×40
	800		35×35		0.15	800		35×35
		900	30×45		0.15		900	30×45
	900		35×35		0.15	900		35×35
		1000	30×50		0.15		1000	30×50
	1000		35×40		0.15	1000		35×40
		1200	30×60		0.15		1200	30×60
1200	35×45		0.15	1200	35×40	0.15		
	1300	35×45	0.15		1300	30×60	0.15	
1500	35×50	0.15	1500	35×45		0.15		

STANDARD RATINGS

(V.DC)	Cap.(μ F)	Φ D \times L(mm)	tan δ	(V.DC)	Cap.(μ F)	Φ D \times L(mm)	tan δ	
400(430)	180	22 \times 35	0.15	450(480)	180	22 \times 40	0.15	
		25 \times 30	0.15			25 \times 35	0.15	
	200	22 \times 40	0.15		200	22 \times 45	0.15	
		25 \times 35	0.15			25 \times 40	0.15	
	250	22 \times 45	0.15		250	22 \times 50	0.15	
		25 \times 40	0.15			25 \times 45	0.15	
	300	25 \times 45	0.15		300	25 \times 50	0.15	
		30 \times 35	0.15			30 \times 40	0.15	
	350	25 \times 50	0.15		350	25 \times 55	0.15	
		30 \times 35	0.15			30 \times 45	0.15	
	400	25 \times 50	0.15		400	25 \times 60	0.15	
		30 \times 40	0.15			30 \times 50	0.15	
	450	30 \times 45	0.15		450	22 \times 60	0.15	
		35 \times 35	0.15			25 \times 60	0.15	
	500	30 \times 45	0.15		500	30 \times 50	0.15	
		35 \times 35	0.15			30 \times 55	0.15	
	600	30 \times 50	0.15		560	35 \times 45	0.15	
		35 \times 40	0.15			680	35 \times 50	0.15
	700	30 \times 55	0.15		800	35 \times 55	0.15	
		35 \times 45	0.15			900	35 \times 60	0.15
	800	30 \times 60	0.15		<p>Note: Other Values are available on request. WEET is capable of doing custom service for you</p>			
		35 \times 50	0.15					
	900	35 \times 55	0.15					
	1000	35 \times 60	0.15					

PN Structure

WEF	1E	223	M	03600830	100	B	R
Series	Rated Voltage	Capacitance	Capacitance Tolerance	Dimension	Pitch/Pins	Packing	Pb
	1.	2.	3.	4.	5.	6.	7.

1. Rated Voltage

Code	0J	1A	1C	1D	1E	1V	1G	1H	1J	1K	2A	2B
Voltage	6.3V	10V	16V	20V	25V	35V	40V	50V	63V	80V	100V	120V

Code	2C	2K	2D	2E	2F	2U	2N	2G	2X	2W	2H	2Y
Voltage	160V	180V	200V	250V	315V	330V	360V	400V	420V	450V	500V	550V

2. Capacitance

Code	0R1	R22	R33	R47	010	2R2	3R3	4R7	100	470	101	562	223	334
Capacitance (μF)	0.1	0.22	0.33	0.47	1	2.2	3.3	4.7	10	47	100	5600	22000	330000

3. Capacitance Tolerance

Code	K	L	M
Tolerance	±10%	±15%	±20%

4. Dimension

Code	00500095	00630085	03600530	07701550
Dimension (mm)	5x9.5	6.3x8.5	36x53	77x155

5. Pitch

Code	020	025	075	100	220	320
Pitch (mm)	2.0	2.5	7.5	10.0	22	32

6. Packing

Code	A	B
Packing	Ammo	Bulk

7. Pb

Code	L	R
Pb	Leaded	RoHS

