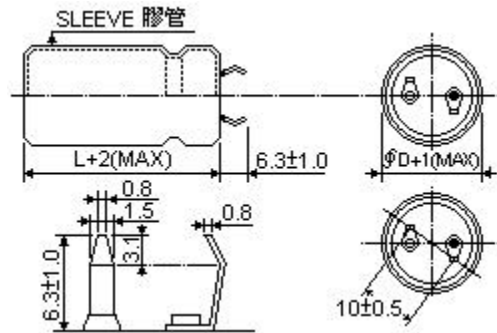


FEATURES

- High ripple current, Smaller size, PCB Mounting
- Load life of 2000 hours at 105°C

SPECIFICATIONS

DIMENSIONS (mm)



MULTIPLIER FOR RIPPLE CURRENT

Frequency coefficient

Frequency Hz		50	120	1,000	10,000	20,000	100,000
Coefficient	≤100V	0.96	1.00	1.10	1.15	1.20	1.25
	63~100V	0.85	1.00	1.07	1.13	1.19	1.40
	160~450V	0.80	1.00	1.15	1.20	1.35	1.60

ΦD	35	51	63	78	90
F	13	22	28	32	32

Item	Characteristics							
Operating Temperature Range(°C)	-40~105(>160V -25~105)							
Rated Voltage Range(V)	16~500							
Capacitance Tolerance(20°C,120Hz)	±20%							
Leakage current(u A)	0.01CV or 1.5mA whichever is smaller(at 20°C,after 5 minutes) C:Nominal Capacitance(u F),V:Rated Voltage(V)							
Dissipation Factor(20°C,120Hz)	WV(V)	16	25	35	50	63~100	160~400	450~500
	tanδ	0.50	0.40	0.35	0.30	0.20	0.15	0.20
Temperature stability(120Hz)	Rated voltage					10~100	160~200	250~500
	impedance Ratio	Z-25°C/Z+20°C				4	4	4
Z-40°C/Z+20°C				15	--	--		
Load life(+105°C)	Life Time	2000hours						
	Leakage Current	Not more than the specified value						
	Capacitance change	Within±20% of the initial value						
	Dissipation Factor	Not more than 200% of the specified value						
Shelf Life(+105°C)	1000hours no vottage applied, the capacitor shall meet the specified limits for "load life" after test: UR to applied for 30 minutes.							



STANDARD RATINGS

WV(v)	cap	Case size	ESR 20°C	Ripple
	(μF)	ΦD*L(mm)	120Hz(mΩ)	Arms
16	6800	22*25	98	1.6
	10000	22*30	66	1.99
	12000	30*25	55	2.38
	12000	25*30	55	2.3
	15000	22*40	44	2.64
	18000	25*40	37	3.04
	18000	35*25	37	3.1
	22000	25*45	30	3.4
	27000	35*30	25	3.74
	33000	30*45	20	4.3
	39000	30*50	17	4.47
	39000	35*40	17	4.72
	47000	35*45	14	5.27
	25	4700	22*25	113
6800		25*25	78	1.91
8200		22*35	65	2.14
8200		30*25	65	2.25
10000		25*35	53	2.44
12000		35*25	44	2.8
12000		25*40	44	2.74
15000		25*45	35	3.15
15000		30*35	35	3.13
18000		30*40	29	3.54
22000		30*45	24	4.24
27000		35*45	20	4.75
33000		35*50	16	5.39

WV(v)	cap	Case size	ESR 20°C	Ripple	
	(μF)	ΦD*L(mm)	120Hz(mΩ)	Arms	
35	3300	22*25	141	1.43	
	3900	22*30	119	1.65	
	5600	30*25	83	2.12	
	6800	22*40	68	2.28	
	6800	25*35	68	2.31	
	8200	25*40	57	2.6	
	4700	25*25	99	1.78	
	10000	25*45	46	2.92	
	12000	30*40	39	3.28	
	15000	30*45	31	3.74	
	18000	35*40	26	4.16	
	22000	35*50	21	4.92	
	50	1800	22*25	221	1.31
		2700	22*30	147	1.7
3300		22*35	121	1.98	
3300		25*30	121	2	
3900		22*40	102	2.25	
4700		35*25	85	2.67	
4700		30*30	85	2.58	
5600		30*35	71	2.95	
5600		25*40	71	2.81	
6800		25*50	59	3.37	
8200		30*45	49	3.71	
8200		35*35	49	3.66	
10000		35*40	40	4.07	
12000		35*45	33	4.5	
15000	35*50	27	5.3		



WV(v)	cap(μF)	Case size	ESR	Ripple Arms
63	1200	22*25	221	1.25
	1800	22*30	147	1.52
	2200	22*35	121	1.73
	2200	25*30	121	1.75
	2700	30*25	98	1.93
	3300	25*40	80	2.27
	1800	25*25	147	1.52
	3900	25*45	68	2.54
	3900	30*35	68	2.55
	4700	35*30	56	2.83
	5600	30*45	47	3.28
	5600	35*35	47	3.24
	6800	30*50	39	3.73
	8200	35*45	32	4.16
	10000	35*50	27	4.69
80	820	22*25	324	1.11
	1200	22*30	221	1.39
	1500	22*35	177	1.61
	1500	25*30	177	1.62
	1800	22*40	147	1.83
	1800	30*25	147	1.81
	2200	22*45	121	2.09
	2200	22*45	121	2.09
	2200	25*35	121	2.01
	2700	25*45	98	2.43
	2700	30*35	98	2.43
	3300	25*50	80	2.76
	3300	30*40	80	2.78
	3900	30*45	68	3.12
	3900	35*35	68	3.07
	4700	35*40	56	3.5
	5600	30*45	47	3.6
	5600	35*40	47	3.8
	6800	35*45	39	4.15
	8200	35*50	32	4.5
10000	35*60	27	5.1	

WV(v)	cap(μF)	Case size	ESR	Ripple Arms
100	560	22*25	474	10.7
	820	22*30	324	1.35
	820	25*25	324	1.35
	1000	22*35	265	1.54
	1200	25*35	221	1.76
	1500	22*45	177	1.99
	1500	30*30	177	2
	1800	25*45	147	2.28
	1800	30*35	147	2.27
	2200	35*30	121	2.52
	2700	30*45	98	2.94
	2700	35*35	98	2.9
	3300	30*50	80	3.32
	3900	35*45	68	3.69
	4700	35*50	56	4.14
160	330	22*25	603	1.16
	390	22*30	510	1.43
	470	25*25	423	1.55
	560	22*40	355	1.62
	560	25*30	355	1.73
	680	22*45	293	1.7
	680	30*25	293	1.82
	680	25*35	293	1.81
	820	30*30	243	1.98
	820	25*40	243	1.98
	1000	25*45	199	2.04
	1000	30*25	199	2.14
	1200	25*30	166	2.4
	1200	30*40	166	2.22
	1500	30*45	133	2.46
1800	35*45	111	2.98	
2200	35*50	90	3.1	



WV(v)	cap	Case size	ESR 20°C	Ripple
	(μF)	ΦD*L(mm)	120Hz(mΩ)	Arms
180	270	22*25	737	1.08
	330	22*30	603	1.3
	470	25*30	423	1.62
	560	25*35	355	1.69
	680	22*50	293	1.76
	390	25*25	510	1.35
	820	25*45	243	1.78
	820	30*35	243	1.85
	1000	30*40	199	2.01
	1200	30*45	166	2.19
	1500	30*50	133	2.36
	1500	35*40	133	2.56
	1800	35*45	111	2.67
	200	220	22*25	905
330		25*25	603	1.35
330		22*30	603	1.3
390		22*35	510	1.41
470		25*30	423	1.47
470		30*25	423	1.56
560		25*35	355	1.65
680		25*40	293	1.8
680		30*30	293	1.82
820		25*50	243	1.87
820		30*35	243	1.99
1000		30*45	199	2.17
1200		30*50	166	2.22
1500		35*45	133	2.59
1800		35*50	111	2.7
2200		35*55	90	2.85
3300		35*65	71	3.05

WV(v)	cap	Case size	ESR 20°C	Ripple
	(μF)	ΦD*L(mm)	120Hz(mΩ)	Arms
250	180	22*25	1106	0.94
	220	22*30	905	1.1
	270	22*35	737	1.13
	330	25*30	603	1.3
	390	22*45	510	1.26
	470	35*25	423	1.4
	470	30*30	423	1.36
	560	25*45	355	1.59
	560	35*30	355	1.56
	680	30*40	293	1.76
	820	35*35	243	1.82
	1000	30*50	199	1.87
	1000	35*40	199	1.99
	1200	35*45	166	2.1
2200	35*60	90	3.8	
350	68	22*25	2927	0.56
	100	22*30	1990	0.7
	120	22*35	1659	0.73
	150	22*40	1327	0.79
	150	25*30	1327	0.82
	180	30*30	1106	0.9
	180	25*35	1106	0.89
	220	35*25	905	0.98
	270	25*50	737	1.01
	270	30*35	737	1.05
	330	30*45	603	1.16
	390	30*50	510	1.26
	390	35*40	510	1.26
	470	35*45	423	1.35
560	35*50	423	1.51	



WV(v)	cap	Case size	ESR 20°C	Ripple
	(μF)	ΦD*L(mm)	120Hz(mΩ)	Arms
400	68	22*25	2927	0.47
	82	22*30	2427	0.56
	82	25*25	2427	0.65
	120	22*35	1659	0.64
	120	30*25	1659	0.78
	150	25*35	1327	0.73
	180	25*40	1106	0.82
	220	25*45	905	0.87
	270	25*50	737	0.94
	270	30*40	737	0.95
	330	30*45	603	1.011
	390	30*50	510	1.15
	470	35*45	423	1.31
	560	35*50	355	1.5
	680	35*60	293	1.8
	820	35*55	243	2.0
	1000	35*60	199	2.2
	1000	35*70	199	2.4
1200	40*65	166	2.55	
500	39	22*30	5104	0.35
	47	22*35	4235	0.41
	56	22*40	3554	0.47
	68	22*45	2927	0.54
	82	25*40	2427	0.62
	100	25*45	1990	0.67
	120	25*50	1659	0.77
	120	35*30	1659	0.72
	150	30*40	1327	0.85
	180	30*50	1106	1.01
	220	35*45	905	1.12
	270	35*50	737	1.29
330	35*60	603	1.5	

WV(v)	cap	Case size	ESR 20°C	Ripple
	(μF)	ΦD*L(mm)	120Hz(mΩ)	Arms
450	56	22*25	3554	0.47
	68	22*30	2927	0.56
	68	25*25	2927	0.65
	82	22*35	2427	0.64
	100	22*40	1990	0.7
	120	22*45	1659	0.73
	150	25*40	1327	0.82
	150	30*30	1327	0.83
	180	30*35	1106	0.86
	220	35*30	905	0.91
	220	30*40	905	0.95
	270	35*35	737	1.13
	330	35*40	603	1.26
	390	35*45	510	1.31
	470	35*50	423	1.5
	560	35*60	355	1.7
	680	35*60	276	2.05
	820	35*60	215	2.4
1000	35*70	166	2.84	

Note: Other Values are available on request. WEET is capable of doing custom service for you.



PN Structure

WEK	1C	223	M	02500450	100	B	R
Series	Rated Voltage	Capacitance	Capacitance Tolerance	Dimension	Pitch/Pins	Packing	Pb
	1.	2.	3.	4.	5.	6.	7.

1. Rated Voltage

Code	0J	1A	1C	1D	1E	1V	1G	1H	1J	1K	2A	2B
Voltage	6.3V	10V	16V	20V	25V	35V	40V	50V	63V	80V	100V	120V
Code	2C	2K	2D	2E	2F	2U	2V	2G	2X	2W	2H	2Y
Voltage	160V	180V	200V	250V	315V	330V	350V	400V	420V	450V	500V	550V

2. Capacitance

Code	0R1	R22	R33	R47	010	2R2	3R3	4R7	100	470	101	562	223	334
Capacitance (μF)	0.1	0.22	0.33	0.47	1	2.2	3.3	4.7	10	47	100	5600	22000	330000

3. Capacitance Tolerance

Code	K	L	M
Tolerance	±10%	±15%	±20%

4. Dimension

Code	00500095	00630085	03600530	07701550
Dimension (mm)	5x9.5	6.3x8.5	36x53	77x155

5. Pitch

Code	020	025	075	100	220	320
Pitch (mm)	2.0	2.5	7.5	10.0	22	32

6. Packing

Code	A	B
Packing	Ammo	Bulk

7. Pb

Code	L	R
Pb	Leaded	RoHS

Note: Other Colors of Sleeve are available on request. WEET is capable of doing custom service for you.

