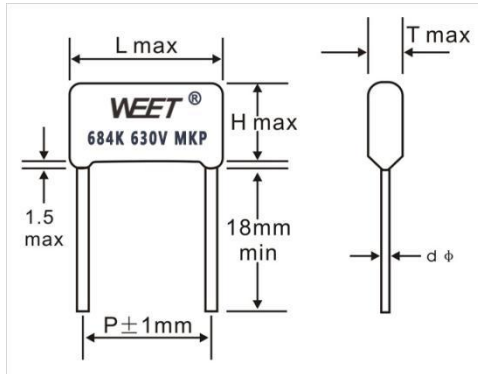


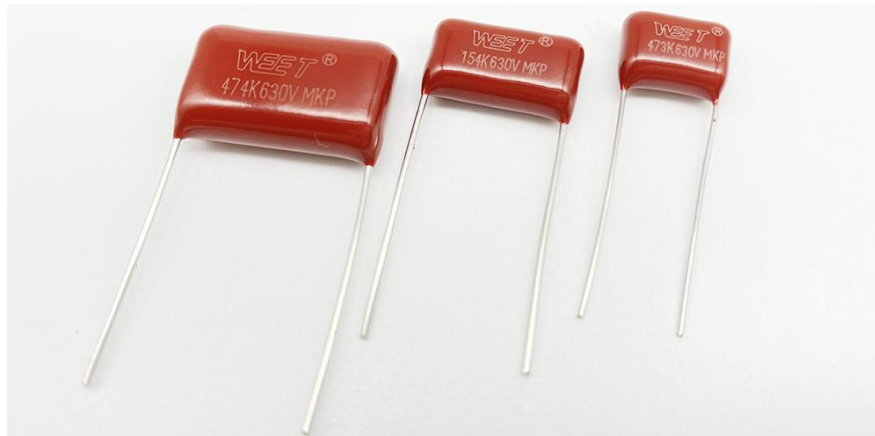
FEATURES

- Non-inductive, epoxy dip coated, high moisture resistance.
- Dissipation factor is normally low and it is stable against high frequency and change of temperature.
- Recommended for high-frequency circuits like s-curve compensating circuit.
- High reliability because of its excellent Self-Healing performance.

DRAWING (mm)



PICTURE



SPECIFICATIONS

Operating Temperature	-40°C ~ +85°C
Rated Voltage(V.DC)	100V, 250V, 400V, 630V.
Capacitance Range	0.01 ~ 10.0μF
Capacitance Tolerance	±5%, ±10%, ±20%
	U _R >100V C≤0.33μF IR≥25000MΩ
	C>0.33μF IR≥7500s
Insulation Resistance	U _R <100V C≤0.33μF IR≥12500MΩ
	C>0.33μF IR≥3750s.
	(20°C 100VDC 60SEC) P.S: T[s]=I.R.[MΩ]*CN [μF]
Dissipation Factor	≤0.001 (at 1KHz) (Typical 0.002 Max)



SIZE TABLE (mm)

VDC	100 VDC					250 VDC				
Mfd	L	T	H	d	P	L	T	H	d	P
0.01	13	5	8.5	0.6	10	13	5	8.5	0.6	10
	10	5	8	0.6	7.5	10	5	8	0.6	7.5
0.012	13	5.5	8.5	0.6	10	13	5.5	8.5	0.6	10
	10	5	8.7	0.6	7.5	10	5	8.7	0.6	7.5
0.015	13	6	9	0.6	10	13	6	9	0.6	10
	10	5.5	9	0.6	7.5	10	5	8.7	0.6	7.5
0.022	13	6	9	0.6	10	13	6	9	0.6	10
	10	5.5	9	0.6	7.5	10	5.5	9	0.6	7.5
						18	6	10.5	0.6	15
0.027	13	6	10	0.6	10	13	6	10	0.6	10
	10	6	9	0.6	7.5	10	6	9	0.6	7.5
						18	6	10	0.6	15
0.033~0.036	13	6	10	0.6	10	13	6	10	0.6	10
	10	6	10	0.6	7.5	10	6	10	0.6	7.5
0.039	13	7	10.5	0.6	10	13	6	10.5	0.6	10
	10	6	10.5	0.6	7.5	10	6	10.5	0.6	7.5
0.047	13	6.5	10.5	0.6	10	13	5.7	10	0.6	10
	10	5.5	9.5	0.6	7.5	10	5.5	9.5	0.6	7.5
0.056	10	6	10	0.6	7.5	10	6	10	0.6	10
0.068	13	6	10	0.6	10	13	6	10	0.6	10
0.1	13	6	10.5	0.6	10	13	6	10.5	0.6	10
	10	6	10	0.6	7.5	10	6	10	0.6	7.5
0.15	13	6	10	0.6	10	13	6	10	0.6	10
	10	6.5	11.5	0.6	7.5	10	6.5	11.5	0.6	7.5
0.22	13	6.5	11.5	0.6	10	13	6.5	11.5	0.6	10
	10	6.5	10.5	0.6	7.5	18	6	11	0.6	15
	18	6	11	0.6	15					
0.33	18	6	11	0.6	15	18	9	14	0.8	15
0.47	18	10.5	15	0.8	15	18	10.5	15	0.8	15
	18	9	14	0.8	15	23	7.5	13	0.6	20
0.68	23	6.5	13	0.6	20	23	8	15.5	0.8	20
1	23	8	14	0.8	20	23	10	16.5	0.8	20
	18	7.5	12.8	0.6	15	24	11	17	0.8	22.5
	23	10	16.5	0.8	20					
1.2	23	11	17.5	0.8	20	23	17.5	11	0.8	20
	23	8.5	15	0.8	20	24	11.5	19	0.8	22.5
	18	8.5	13.5	0.8	15					
1.5	18	8.5	15.5	0.8	15	24	12	17.5	0.8	22.5
	23	7.5	14	0.6	20	23	11.5	17.5	0.8	20
	30	10	17.5	0.8	27.5	30	10	17.5	0.8	27.5
2.2	23	8.5	15.5	0.8	20	24	13.5	21	0.8	22.5
	30	11.5	20.5	0.8	27.5	30	11.5	20.5	0.8	27.5
3.3	23	11	17	0.8	20	30	14	23	0.8	27.5
	30	14	23	0.8	27.5					



SIZE TABLE (mm)

VDC	400 VDC					630 VDC				
Mfd	L	T	H	d	P	L	T	H	d	P
0.01	13	5	8.5	0.6	10	13	5	8.5	0.6	10
	10	5	8	0.6	7.5					
0.012	10	5	8.7	0.6	7.5	13	5.5	8.5	0.6	10
	13	5.5	8.5	0.6	10					
0.015	10	5.5	9	0.6	7.5	13	6	9	0.6	10
	13	6	9	0.6	10					
0.018	13	6.5	9.5	0.6	10	13	6.5	9.5	0.6	10
						18	5	9.5	0.6	15
0.022	13	6	9	0.6	10	13	6	9	0.6	10
						18	5.5	9.5	0.6	15
0.033~0.036	13	6	10	0.6	10	13	6	10	0.6	10
	18	7	12	0.6	15	18	7	12	0.6	15
0.039	13	6	10.5	0.6	10	18	6	11.5	0.6	15
0.047	13	6.5	10.5	0.6	10	13	6.5	10.5	0.6	10
	18	7	12	0.6	15	18	7	12	0.6	15
0.068	13	6	10	0.6	10	13	8	13	0.6	10
	18	6	9.5	0.6	15	18	8	13	0.8	15
0.1	13	7	12	0.6	10	18	9.5	14.5	0.8	15
	18	6.5	11	0.6	15	18	6.7	11.5	0.6	15
0.15	18	7	12.5	0.8	15	18	7	12.5	0.6	15
0.22	18	9	14.5	0.8	15	18	9	14.5	0.8	15
0.33	18	9	16	0.8	15	23	8.5	16	0.8	20
	23	7.5	14.5	0.6	20	25	8.5	15	0.8	22.5
0.39	18	9.5	16.5	0.8	15	23	9	16.5	0.8	20
	23	7.5	14.5	0.6	20	25	9	16	0.8	22.5
0.47	23	8	15	0.8	20	23	8	15	0.8	20
	25	8.5	15	0.8	22.5	25	8.5	15	0.8	22.5
						31	12.5	23.5	0.8	27.5
0.56	23	9	15	0.8	20	25	10.5	17.5	0.8	22.5
	18	10.5	17.5	0.8	15	30	9	16.5	0.8	27.5
	25	9.5	17	0.8	22.5	23	10.5	17.5	0.8	20
0.68						24	11	18	0.8	22.5
	23	8	14	0.8	20	30	10.5	18	0.8	27.5
0.82	25	10	16.5	0.8	22.5					
	25	11	18	0.8	22.5	25	11	20	0.8	22.5
1	23	10.5	16	0.8	20	30	12	20	0.8	27.5
	30	10	18	0.8	27.5					
1.5	23	9	17	0.8	20	30	15	23	0.8	27.5
	30	10	17.5	0.8	27.5					
2	25	13	21	0.8	22.5					
	30	14	23	0.8	27.5					
2.2	25	14	21.5	0.8	22.5					
	23	11	18.5	0.8	20					
	30	14.5	24	0.8	27.5					
3.3	23	14	21.5	0.8	20					
	30	15	23	0.8	27.5					

Note: Other Values are available on request. WEET is capable of doing custom service for you.



WEE Technology Company Limited
ROOM 1405, 14/F, LUCKY CENTRE,
171 WANCHAI ROAD,
WANCHAI, HONG KONG
www.weetcap.com
info@weetcap.com

All details in this data sheet are subject to change without notice.
For more details and updates, please visit our website.

Copyright © 2000 WEE Technology, All rights reserved.

