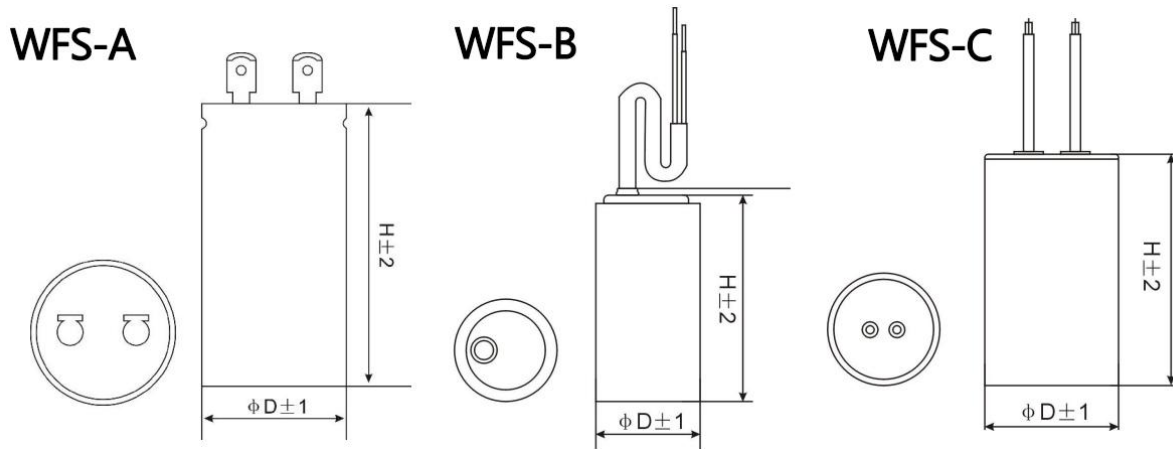


FEATURES

- WEET WFS are CD-60 Motor Starting capacitors, Non-polarized aluminum electrolytic construction
- These capacitors are used in starting fractional horsepower,
- Single-phase electric motors, as well as in gear motor applications.
- The capacitors are housed in metal cans with plastic insulation.

DRAWING (mm) :



PICTURE



SPECIFICATIONS

Operating Temperature	-40°C ~ +65°C
Voltage Range	110VAC~ 330VAC
Capacitance Range	50uF ~ 1500uF
Capacitance Tolerance	±15%
Operating Frequency	50/60Hz
Withstand Voltage Between Terminals	1.2 times working voltage, no break down within 2s
Withstand Voltage Between Terminal And Case	2000VAC, no break down with 60s

DIMENSIONS(MM)

Voltage(VAC)	110/125VAC	125VAC	220/275VAC	250VAC	330VAC
Capacitance(μF)	Size D x H (MM)	Size D x H (MM)	Size D x H (MM)	Size D x H (MM)	Size D x H (MM)
50	34x60	34x60	34x70	34x80	42x80
75	34x60	34x60	34x70	34x80	42x80
100	34x60	34x60	34x70	34x80	42x80
150	34x70	34x70	34x70	50x100	50x100
200	40x70	40x70	40x70	50x100	50x100
250	40x90	40x90	45x100	50x100	50x100
300	40x90	40x90	45x100	50x100	50x100
350	45x90	45x90	45x100	50x100	50x100
400	45x100	45x100	45x100	50x100	50x100
500	45x100	45x100	45x100	50x110	---
600	45x100	45x100	50x100	50x110	---
700	50x100	50x100	50x100	---	---
800	50x100	50x100	50x100	---	---
1000	50x100	50x100	---	---	---
1200	50x100	50x100	---	---	---

Note: Other Values are available on request. WEET is capable of doing custom service for you.



WEE Technology Company Limited
ROOM 1405, 14/F, LUCKY CENTRE,
171 WANCHAI ROAD,
WANCHAI, HONG KONG
www.weetcap.com
info@weetcap.com

All details in this data sheet are subject to change without notice.
For more details and updates, please visit our website.

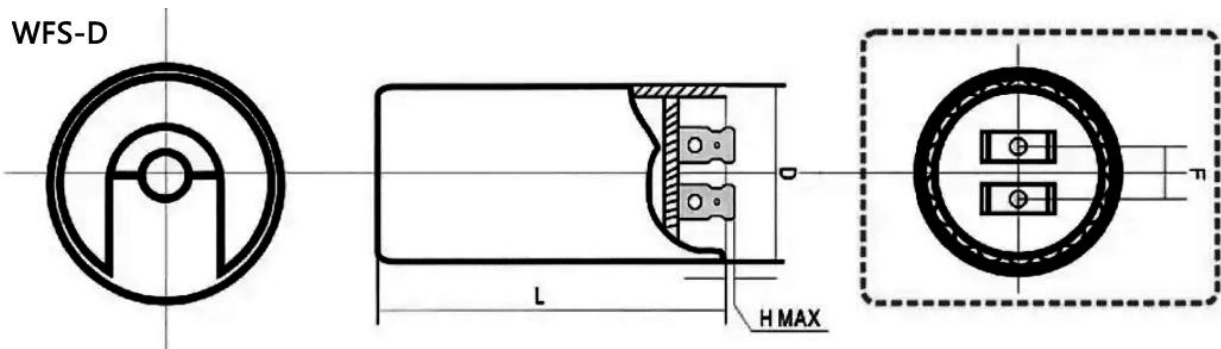
Copyright © 2000 WEE Technology, All rights reserved.



FEATURES

- WEET WFS-D are **Bakelite Case** Type Non-polarized aluminum electrolytic construction
- These capacitors are used in starting fractional horsepower,
- Single-phase electric motors, as well as in gear motor applications.
- Quick connect terminals for easy installation
- Compact Bakelite start capacitor engineered for reliable motor starting in HVAC applications. Such as air conditioning, refrigerator compressor, air condition etc

DRAWING (mm) :



D	37Ø	46Ø	46Ø	51Ø
L	70mm	86mm	86mm - 111mm	100mm- 116mm
F	11	11	15	15
H max	2	2	0.5	1

PICTURE



SPECIFICATIONS

Operating Temperature	-40°C ~ +65°C
Voltage Range	110, 125, 165, 220, 250, 330VAC
Capacitance Range	25uF ~ 1536uF (Single Capacitance on Request)
Capacitance Tolerance	-10%~+20% (For Single Capacitance)
Operating Frequency	50/60Hz
Withstand Voltage Between Terminals	1.2 times working voltage, no break down within 2s
Withstand Voltage Between Terminal And Case	2000VAC, no break down with 60s

DIMENSIONS(MM)

VOL.	110V	125V	165V	220V	250V	330V
CAP.uF	size m/m	size m/m	size m/m	size m/m	size m/m	size m/m
25 - 30	37 x 70	37 x 70	46 x 86	46 x 86	46 x 86	46 x 86
30 - 36	37 x 70	37 x 70	46 x 86	46 x 86	46 x 86	46 x 86
36 - 43	37 x 70	37 x 70	46 x 86	46 x 86	46 x 86	46 x 86
43 - 52	37 x 86	37 x 86	36 x 86	46 x 86	46 x 86	46 x 86
47 - 56	36 x 86	36 x 86	46 x 86	46 x 86	46 x 86	46 x 86
53 - 64	36 x 86	36 x 86	46 x 86	46 x 86	46 x 86	46 x 86
64 - 77	36 x 86	36 x 86	46 x 86	46 x 86	46 x 86	46 x 111
72 - 86	36 x 86	36 x 86	46 x 86	46 x 86	46 x 86	46 x 111
88 - 106	36 x 86	36 x 86	46 x 86	46 x 86	46 x 111	46 x 111
108 - 130	36 x 86	36 x 86	46 x 86	46 x 86	46 x 111	46 x 111
124 - 149	36 x 86	36 x 86	46 x 86	46 x 86	46 x 111	46 x 111
130 - 156	36 x 86	36 x 86	46 x 86	46 x 86	46 x 111	46 x 111
145 - 174	36 x 86	36 x 86	46 x 86	46 x 86	46 x 111	51 x 110
161 - 193	36 x 86	36 x 86	46 x 86	46 x 86	46 x 111	51 x 110
189 - 227	36 x 86	46 x 86	46 x 86	46 x 86	46 x 111	51 x 110
216 - 259	36 x 86	46 x 86	46 x 86	46 x 86	46 x 111	51 x 110
233 - 280	36 x 86	46 x 86	46 x 86	46 x 111	46 x 111	51 x 110
243 - 292	46 x 86	46 x 86	46 x 111	46 x 111	46 x 111	51 x 110
270 - 324	46 x 86	46 x 86	46 x 111	46 x 111	51 x 110	51 x 110
324 - 389	46 x 86	46 x 86	46 x 111	46 x 111	51 x 110	
340 - 408	46 x 86	46 x 86	46 x 111	46 x 111	51 x 110	
378 - 454	46 x 86	46 x 86	46 x 111	46 x 111	51 x 110	
400 - 480	46 x 86	46 x 111	46 x 111	51 x 110	51 x 110	
430 - 516	46 x 111	46 x 111	46 x 111	51 x 110	51 x 110	
460 - 552	46 x 111	46 x 111	46 x 111	51 x 110	51 x 110	
540 - 648	46 x 111	46 x 111	46 x 111	51 x 110	51 x 110	
590 - 708	46 x 111	46 x 111	46 x 111	51 x 110		
645 - 774	46 x 111	46 x 111	46 x 111	51 x 110		
708 - 850	52 x 110	52 x 110	46 x 111			
720 - 864	52 x 110	52 x 110	46 x 111			
800 - 960	40 x 106	40 x 106	51 x 116			
815 - 978	40 x 106	40 x 106	51 x 116			
829 - 995	40 x 106	40 x 106	51 x 116			
850 - 1020	40 x 106	51 x 116	51 x 116			
1000 - 1200	40 x 106	51 x 116	51 x 116			
1020 - 1224	51 x 116	51 x 116				
1175 - 1410	51 x 116	51 x 116				
1280 - 1536	51 x 116	51 x 116				

Note: Other Values are available on request. WEET is capable of doing custom service for you.



WEE Technology Company Limited
ROOM 1405, 14/F, LUCKY CENTRE,
171 WANCHAI ROAD,
WANCHAI, HONG KONG
www.weetcap.com
info@weetcap.com

All details in this data sheet are subject to change without notice.
For more details and updates, please visit our website.

Copyright © 2000 WEE Technology, All rights reserved.

