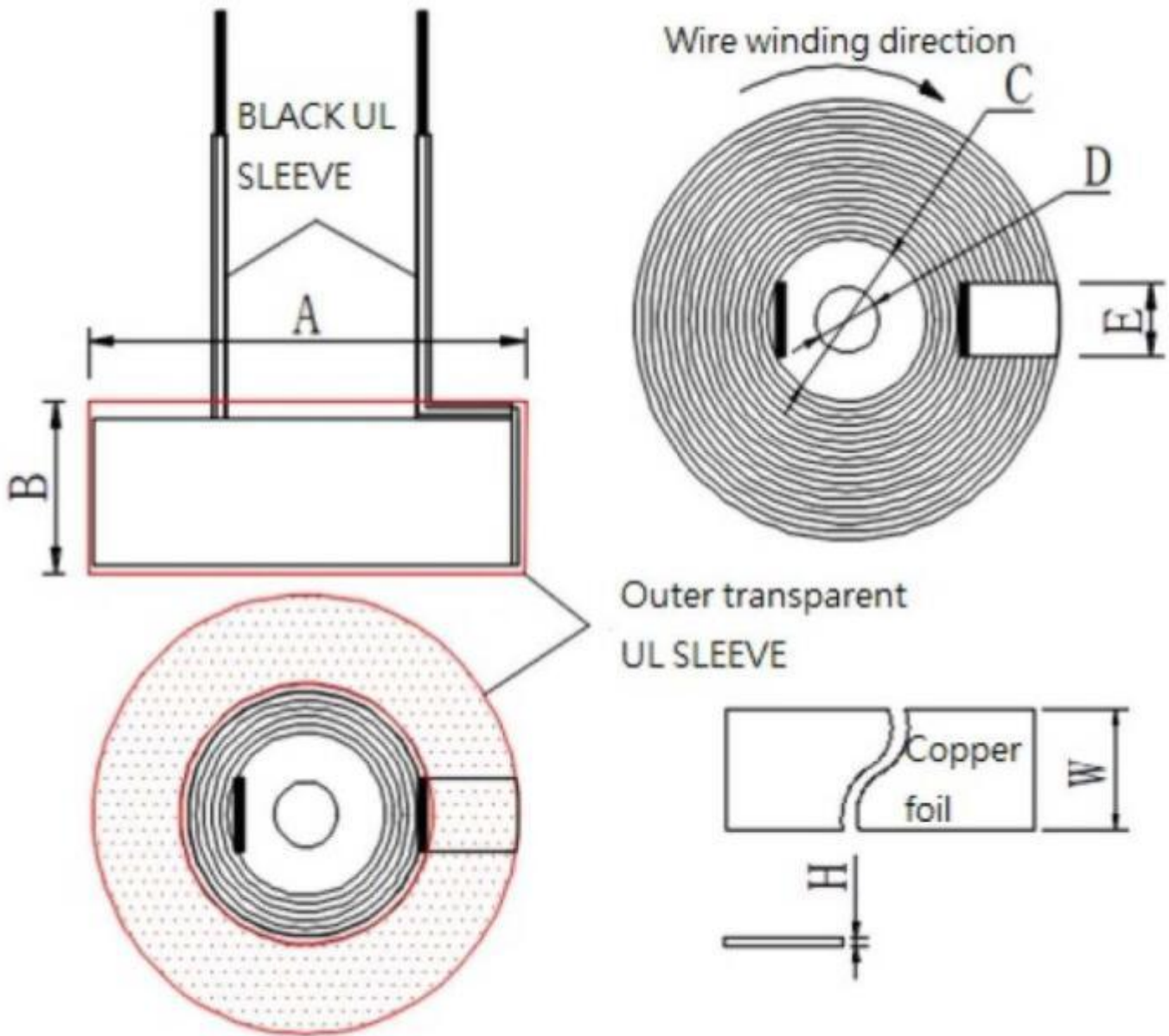


FEATURES

- Power type audio inductance. Suitable for bypass circuits
- Has good inductance and very low distortion characteristics
- Effectively improve the bass strength, reduce vibration effect distortion
- Suitable for working in high-frequency circuits

DRAWING (mm)



PICTURE



SIZE TABLE (mm): Inductance: 0.1~10mH, +/-5%

Part No.	A	B	C	D	E	Copper Foil Size(H*W)	Maximum Inductance
WIC-12	φ36-φ120	37	φ30	φ10	12.5	0.15*25	12AWG 0.1-10mH
WIC-14	φ36-φ120	37	φ30	φ10	12.5	0.08*25	14AWG 0.1-10mH
WIC-16	φ26-φ100	27	φ20	φ10	8.5	0.08*17	16AWG 0.1-5mH
WIC-18	φ26-φ70	20	φ20	φ10	5.3	0.08*10.5	18AWG 0.1-2mH

Note: Other Inductance and Size are available on request. WEET is capable of doing custom service OEM for you.



SIZE TABLE (mm):

WEET Series-Wire Number-Inductance				
WEET PN	WEET PN	WEET PN	WEET PN	WEET PN
WIC-18-0,10	WIC-16-0,10	WIC-14-0,10	WIC-12-0,10	WIC-10-0,10
WIC-18-0,12	WIC-16-0,12	WIC-14-0,12	WIC-12-0,12	WIC-10-0,12
WIC-18-0,15	WIC-16-0,15	WIC-14-0,15	WIC-12-0,15	WIC-10-0,15
WIC-18-0,18	WIC-16-0,18	WIC-14-0,18	WIC-12-0,18	WIC-10-0,18
WIC-18-0,20	WIC-16-0,20	WIC-14-0,20	WIC-12-0,20	WIC-10-0,20
WIC-18-0,22	WIC-16-0,22	WIC-14-0,22	WIC-12-0,22	WIC-10-0,22
WIC-18-0,25	WIC-16-0,25	WIC-14-0,25	WIC-12-0,25	WIC-10-0,25
WIC-18-0,27	WIC-16-0,27	WIC-14-0,27	WIC-12-0,27	WIC-10-0,27
WIC-18-0,30	WIC-16-0,30	WIC-14-0,30	WIC-12-0,30	WIC-10-0,30
WIC-18-0,33	WIC-16-0,33	WIC-14-0,33	WIC-12-0,33	WIC-10-0,33
WIC-18-0,39	WIC-16-0,39	WIC-14-0,39	WIC-12-0,39	WIC-10-0,39
WIC-18-0,47	WIC-16-0,47	WIC-14-0,47	WIC-12-0,47	WIC-10-0,47
WIC-18-0,50	WIC-16-0,50	WIC-14-0,50	WIC-12-0,50	WIC-10-0,50
WIC-18-0,56	WIC-16-0,56	WIC-14-0,56	WIC-12-0,56	WIC-10-0,56
WIC-18-0,62	WIC-16-0,62	WIC-14-0,62	WIC-12-0,62	WIC-10-0,62
WIC-18-0,68	WIC-16-0,68	WIC-14-0,68	WIC-12-0,68	WIC-10-0,68
WIC-18-0,82	WIC-16-0,82	WIC-14-0,82	WIC-12-0,82	WIC-10-0,82
WIC-18-1,0	WIC-16-1,0	WIC-14-1,0	WIC-12-1,0	WIC-10-1,0
WIC-18-1,2	WIC-16-1,2	WIC-14-1,2	WIC-12-1,2	WIC-10-1,2
WIC-18-1,5	WIC-16-1,5	WIC-14-1,5	WIC-12-1,5	WIC-10-1,5
WIC-18-1,8	WIC-16-1,8	WIC-14-1,8	WIC-12-1,8	WIC-10-1,8
WIC-18-2,0	WIC-16-2,0	WIC-14-2,0	WIC-12-2,0	WIC-10-2,0
WIC-18-2,2	WIC-16-2,2	WIC-14-2,2	WIC-12-2,2	WIC-10-2,2
WIC-18-2,7	WIC-16-2,7	WIC-14-2,7	WIC-12-2,7	WIC-10-2,7
WIC-18-3,3	WIC-16-3,3	WIC-14-3,3	WIC-12-3,3	WIC-10-3,3
WIC-18-3,9	WIC-16-3,9	WIC-14-3,9	WIC-12-3,9	WIC-10-3,9
WIC-18-4,7	WIC-16-4,7	WIC-14-4,7	WIC-12-4,7	WIC-10-4,7
WIC-18-5,6	WIC-16-5,6	WIC-14-5,6	WIC-12-5,6	WIC-10-5,6
WIC-18-6,8	WIC-16-6,8	WIC-14-6,8	WIC-12-6,8	WIC-10-6,8
WIC-18-8,2	WIC-16-8,2	WIC-14-8,2	WIC-12-8,2	WIC-10-8,2
WIC-18-10,0	WIC-16-10,0	WIC-14-10,0	WIC-12-10,0	WIC-10-10,0

