

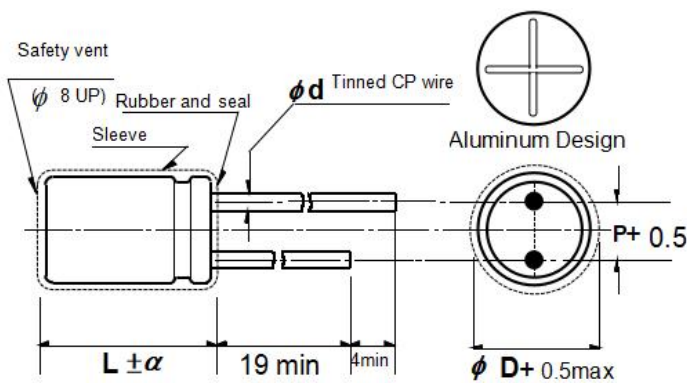
## FEATURES

- Low Dissipation Factor, MAX 15% at 1KHz
- Specially produced for Cross-Over Networks with high fidelity audio system
- High-quality crossover non-polar aluminum electrolytic capacitors
- Product mainly used: audio converters and dividers (partials), Audio amp, automotive electronics products, speaker.

Note 1: Other Dissipation Factor 3%, 4%, 6%, 7%, 8%, 9%, 10%, 12% are available on request.

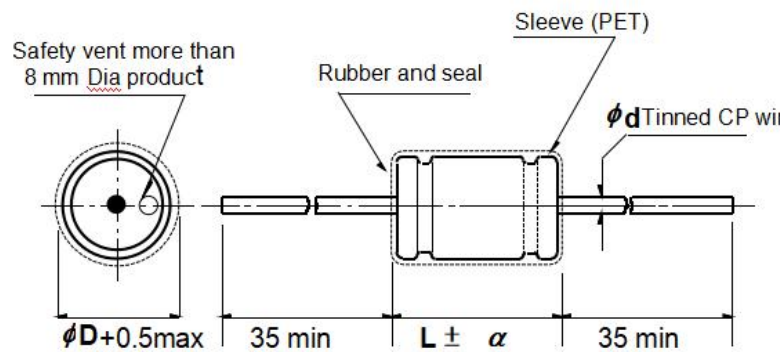
Note 2: The sleeve (PET) color of the product differs from batch to batch, so there will be slight color difference. Thank you.

## DRAWING (mm)



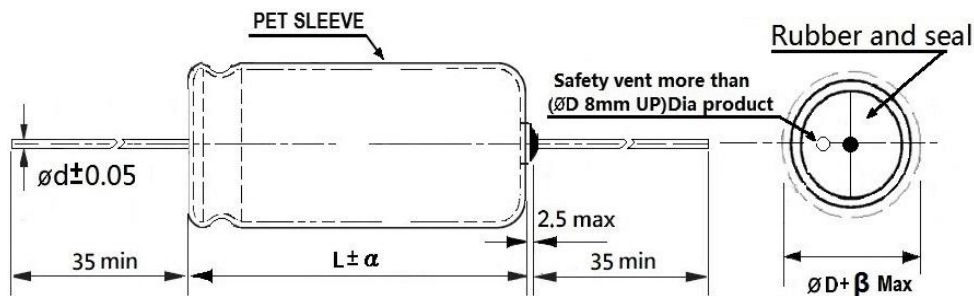
**WMX-R Radial type connection**

φ D	5	6	8	10	13	16	18	22	25
φ d	0.5	0.5	0.5	0.6	0.6	0.6	0.8	0.8	0.8
P	2.0	2.5	3.5	3.5	5.0	5.0	5.0	7.5	7.5
α	1.0	1.0	1.0	1.0	1.5	1.5	1.5	1.5	2.0



**WMX-A Axial type two side connection**

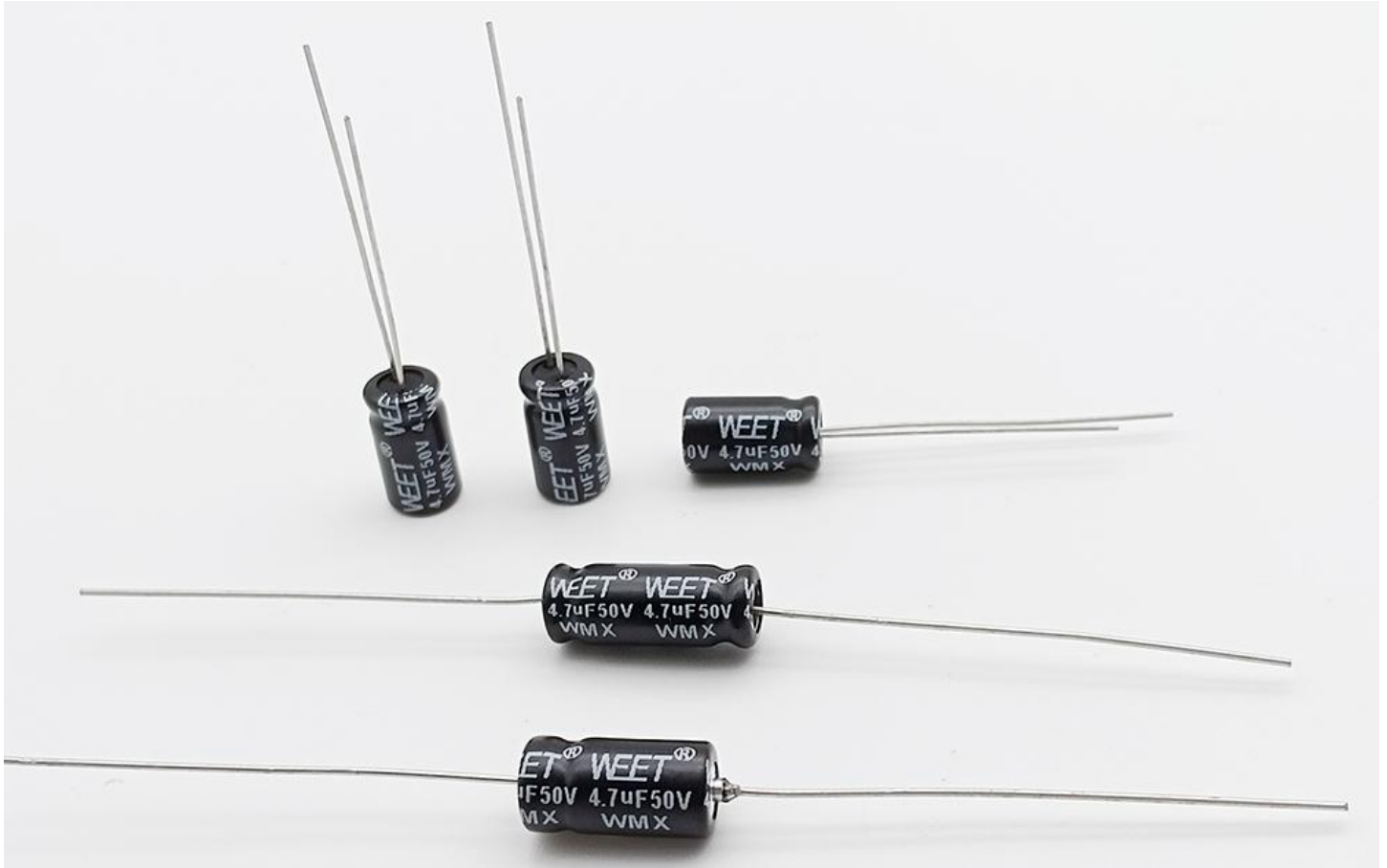
φ D	6	8	10	13	16	18	22	25
φ d	0.6	0.6	0.6	0.8	0.8	0.8	0.8	0.8
α	0.8	0.8	1.5	2.0	2.0	2.0	2.0	2.0



**WMX-S Axial type one side connection**

φ D	6.3	8	10	13	16	18	22	25
φ d	0.6	0.6	0.6	0.6	0.8	0.8	0.8	0.8
α	1.5	1.5	2.0	2.0	2.0	2.0	2.0	2.0
β	0.5	0.5	1.0	1.0	1.0	1.0	1.0	1.0

**PICTURE**



**SPECIFICATIONS**

<b>Capacitance Tolerance</b>	± 10%(K),or ±20%(M)at 1KHZ
<b>Leakage Current</b>	(1) WMX-R, WMX-A : MAX. 0.03CV + 3µA After 5 minutes application of rated working voltage
	(2) WMX-S : MAX. 0.04CV + 3µA After 5 minutes application of rated working voltage
<b>Temp Range</b>	- 40°C ~ + 105°C
<b>Load Life</b>	After 1,000 hours application of rated voltage at 105 ± 2°C, capacitors meet the characteristics requirement listed as below
	(a) Capacitance change: Within ± 25% of initial
	(b) Tan δ:200% or less of initial specified
	(c) Leakage current : Install specified value or less
<b>MAX Dissipation Factor</b>	MAX 15% at 1KHz

**SIZE TABLE (mm) : Diameter (DØ) x Length (L) mm**

SERIES	WMX-R (Radial connection)		WMX-A (Axial type two side connection)		WMX-S (Axial type one side connection)	
	50 V	100 V	50 V	100 V	50 V	100V
(µF)	D*L	D*L	D*L	D*L	D*L	D*L
1	6*11	6*11	6*16	6*16	6.3*13	6.3*13
1.5	6*11	6*11	6*16	6*16	6.3*13	6.3*13
2.2	6*11	6*11	6*16	8*17	6.3*13	8*13
3.3	6*11	6*11	6*16	8*17	6.3*13	8*13
4.7	6*11	6*11	6*16	8*17	6.3*13	8*13
5.6	6*11	8*13	6*16	8*17	6.3*13	8*13
6.8	6*11	8*13	8*17	8*19	8*13	10*17
8.2	8*13	8*13	8*17	8*19	8*13	10*17
10	8*13	8*13	8*17	8*19	8*13	10*17
15	8*13	10*15	8*19	10*19	8*13	10*21
22	10*15	10*15	10*19	10*19	10*17	10*21
33	10*20	10*20	10*24	10*24	10*21	13*22
47	10*20	10*20	10*24	13*27	10*21	13*22
68	10*20	13*21	13*27	13*27	13*22	13*27
75	13*21	13*21	13*27	13*27	13*22	13*27
82	13*21	13*26	13*27	13*31	13*22	16*28
100	13*21	13*26	13*27	13*31	13*22	16*28
120	13*21	16*27	13*27	16*34	13*22	16*28
150	13*26	16*27	13*31	16*34	13*27	16*33
220	13*26	16*27	13*31	16*34	13*27	18*40

**Note: Other Values are available on request. WEET is capable of doing custom service for you.**



**WEE Technology Company Limited**  
ROOM 1405, 14/F, LUCKY CENTRE,  
171 WANCHAI ROAD,  
WANCHAI, HONG KONG  
[www.musicaps.com](http://www.musicaps.com)  
[sales@musicaps.com](mailto:sales@musicaps.com)

All details in this data sheet are subject to change without notice.  
For more details and updates, please visit our website.

Copyright © 2000 WEE Technology, All rights reserved.

