

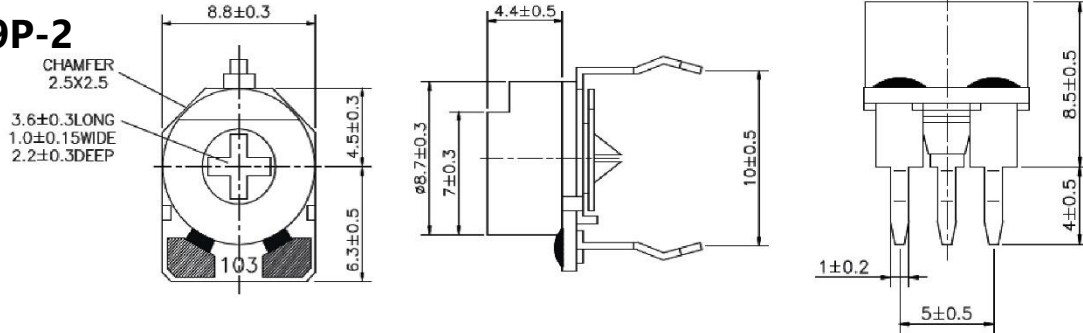
**FEATURES**

- Single Turn/ Cermet/ Industrial
- 2 Terminal Styles

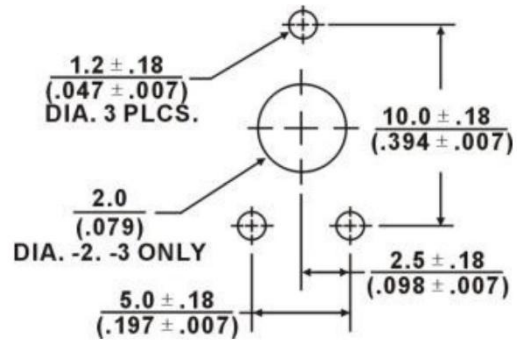


**DRAWING (mm)**

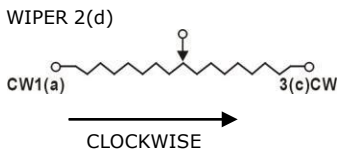
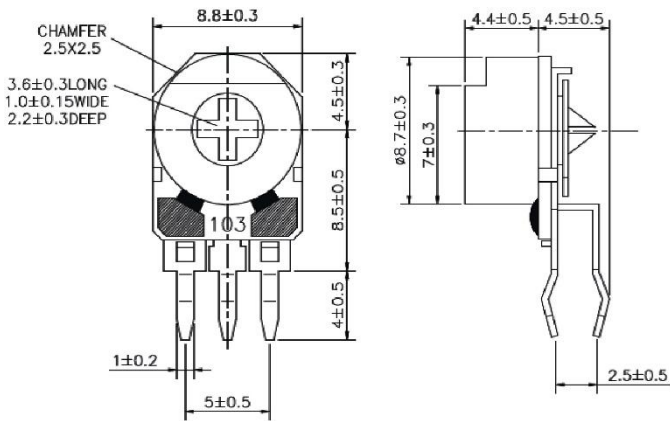
**WTP-3309P-2**



**WTP-3309P-2 Suggested PCB Layout**



**WTP-3309W-1 Singel Side Front Adjust**



To



**WEE Technology Company Limited**  
FLAT/RM 705, 7/F, FA YUEN COMM  
BLDG NO.75, FA YUEN STREET, MONG  
KOK, KL, HONG KONG  
[www.weetcap.com](http://www.weetcap.com)  
[info@weetcap.com](mailto:info@weetcap.com)

All details in this data sheet are subject to change without notice.  
For more details and updates, please visit our website.

Copyright © 2000 WEE Technology, All rights reserved.



l  
e  
r

ance is  $\pm 0.25$  if no identification

## SPECIFICATIONS

<b>Electrical Characteristics</b>	
<b>Standard Resistance Range</b>	100Ω - 1MΩ
<b>Resistance Tolerance</b>	±30% std
<b>Terminal Resistance</b>	≤±1%R or 30Ω
<b>Contact Resistance Variatio</b>	(CRV) ≤±3%R or 5Ω
<b>Resolution</b>	Essentially infinite
<b>Adjustment Angle</b>	235°

<b>Environmental Characteristics</b>	
<b>Power Rating</b>	70°C, 0.5W
<b>Temperature Range</b>	-30°C ~ +100°C
<b>Temperature Coefficient</b>	±250x10 <sup>-6</sup> /°C
<b>Load Life (0.5W, 1000h, 70°C)</b>	ΔR ≤± (5%R+0.1Ω), CRV ≤±3%R or 5Ω
<b>Rotational Life (200cycles)</b>	ΔR ≤± (10%R+0.5Ω), CRV ≤±3%R or 5Ω

<b>Physical Characteristics</b>	
<b>Mechanical Angle</b>	260°
<b>Starting Torque</b>	≤35mN.m
<b>Stop Strength</b>	≥50mN.m
<b>Standard packaging</b>	200pcs. Per bag



**PN STRUCTURE**

**WTP-3309-W-103-R**

<u>WTP</u>	<u>3309</u>	<u>W</u>	<u>103</u>	<u>R</u>
<u>Series</u>		<u>Style</u>	<u>Resistance</u>	<u>RoHS</u>
<u>1</u>		<u>2</u>	<u>3</u>	<u>4</u>

**3. Resistance** (Special Resistances Available)

<b>Resistance Code</b>	<b>Resistance (Ohms Ω)</b>
101	100
201	200
501	500
102	1,000
202	2,000
502	5,000
103	10,000
203	20,000
253	25,000
503	50,000
104	100,000
204	200,000
254	250,000
504	500,000
105	1,000,000

